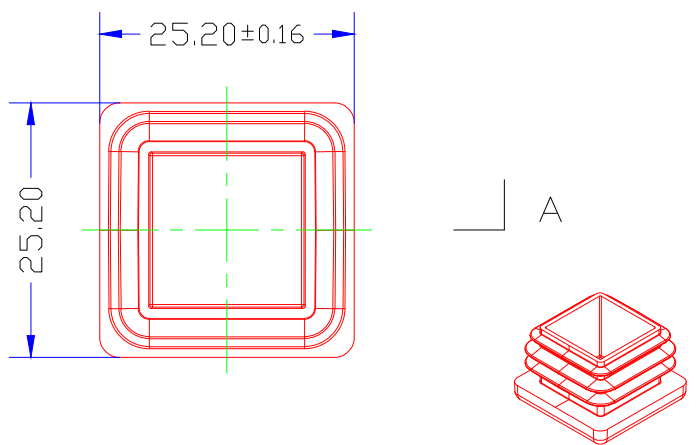


SECTION A—A



Designed by (审核)	drawer (绘图)	Checked by (设计)	Material (材料)	Weight (重量)	Scale 1:1 (比例)	Project View (第一角投影)	Date (日期)
	何青红	何青红	PE	3.5±0.1g	1:1	(mm)	08/04/2017

Name(名称):
SINO577022-4-27



TEL:86-576-84023777 FAX:86-576-84018996
Eml:mould@china.com Url:www.cnmould.com