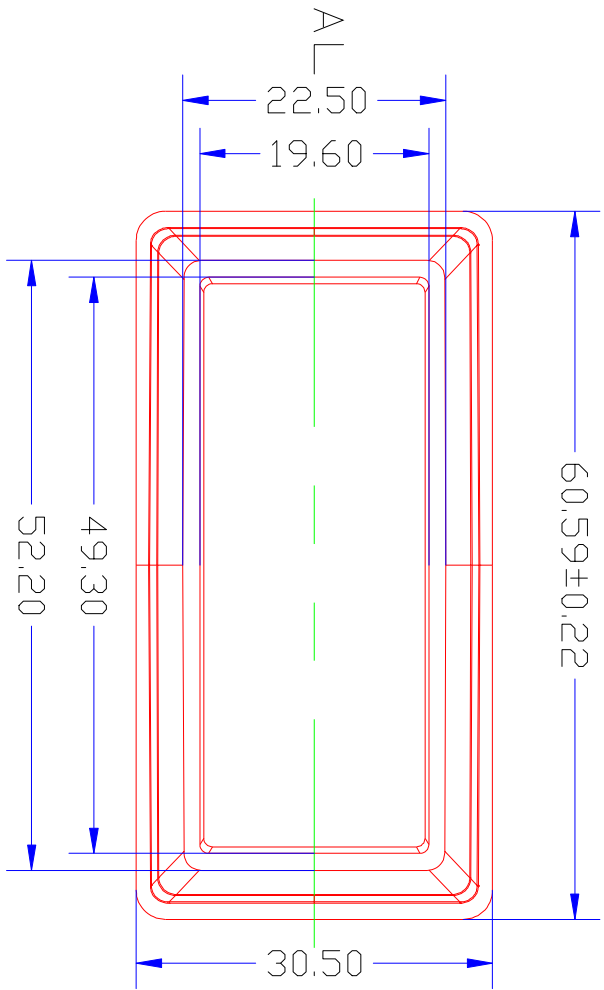
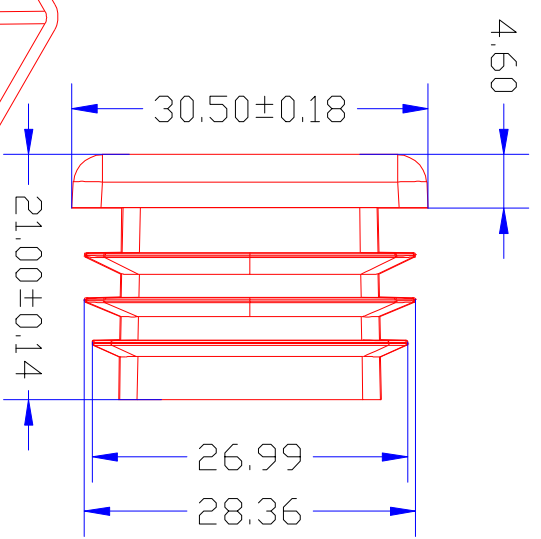
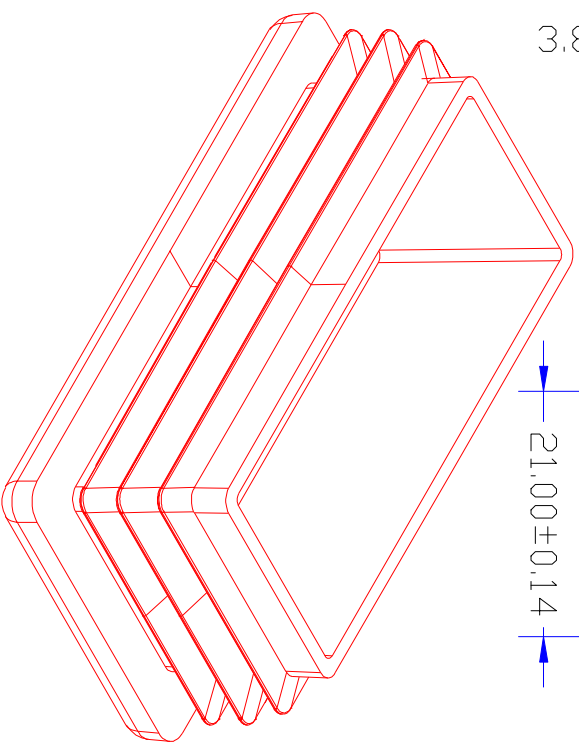


SECTION A-A



J-A



Designed by (审核)	蔡敏	Checked by (设计)	蔡敏	Material (材料)	HDPE	Weight (重量)	10.29±0.1	Scale 1:1 (比例)	1:1	Project View (第一角投影)	10/04/2017	Date (日期)
---------------------	----	--------------------	----	------------------	------	----------------	-----------	-------------------	-----	-------------------------	------------	--------------

Name(名称):

SINO577022-3 (17)

SINO HOLDINGS
www.sinoholding.com

TEL:86-576-84023777 FAX:86-576-84018996
Eml:mould@china.com Url:www.cnmould.com